

Quattro 5kVA

- more energy
- more teamwork
- more security
- more control
- more freedom
- more power

Quattro 5kVA
More Power, more features



More freedom

Energy. Anytime. Anywhere. That's what Victron Energy's new Quattro is all about. It's the only inverter/charger that will provide up to 5kVA of power! Your spin-off: more freedom. Not only that, but the Quattro also offers more on all counts. Allow us to introduce you to new vistas in the world of mobile power by Victron Energy.

More power

Laundry and dish washing, electric cooking, air-conditioning, diving compressors, computer systems – with 5kVA at its disposal, it's no problem at all for the Quattro. Are your power requirements even greater? You simply connect more units in parallel: 10kVA, 15kVA, three-phase power – the possibilities are unlimited.

More control

Charging batteries while power resources are already at their limits can cause serious overloading. Victron Energy has developed a smart solution. If power consumption is high, the Quattro charges at a low or zero rate. As power consumption decreases, the Quattro uses the additional power that becomes available to charge at higher levels. We call this innovative feature PowerControl.

More energy

Power connections to provide all the power you need are not always available. That's why Victron Energy developed PowerAssist. This feature monitors power consumption and supplies additional power to prevent overloading. The Quattro can temporarily turn a 16A connection into 38A and a 5kVA generator into 10kVA. No other brand offers better functionality in this arena than the inventor: Victron Energy.

More independence

Is the grid unreliable? Or would you rather be completely independent? No problem at all. The Quattro can handle enough power to supply an entire home.

You can connect a diesel generator or a sustainable energy system directly to the batteries. Or to the AC input or output. The batteries are then charged through the Quattro. You determine what is best in your specific situation.

More security

A power failure? Or switching from generator to inverter operation? In that case, you must be able to rely on seamless transfer without noticeable effects on computers and other sensitive equipment. The Quattro will not let you down.

More convenience

Just a few LEDs and a switch – that's all you need to operate a Quattro. And the same applies for installation. Shore-side power and a generator can both be connected directly to the Quattro. An AC transfer system is no longer required. The Quattro is unique in this regard too. Devices that you don't want powered by costly battery energy can simply be connected to the load shedding 'boiler' output. Configuration is just as easy with either our new, simple DIP switch system or with your notebook and free software. It's totally up to you!

More sustainable energy

Solar energy, wind energy, micro-scale heating and power plants for homes and buildings are becoming increasingly popular. Often such sustainable energy resources are both connected to and feed power back into the grid. In the event of a power failure, therefore, one would imagine there would be enough energy available to keep your essential equipment working. Unfortunately, that is not the case. If the grid fails, so do your sustainable energy resources, leaving your computer, refrigerator, freezer, central heating pump, anti-burglary alarm system etc. without power. The solution? Install a Quattro and a battery or two in your home. The Quattro will replace the grid when needed and ensure that your sustainable energy resources remain in operation. How many devices and how much lighting can you keep using? That depends on battery capacity and the amount of sustainable power that is generated.

But one thing is certain: you will have power – always!



More teamwork

Quattro units can connect to VE.Net and the ESP system panels. In this way, you can monitor and operate the whole system from a single point with everything at your fingertips – on-site or from the other side of the world if you like – the Quattro itself, the generator, battery monitors, tank meters and your Internet connection. Isn't freedom what it's all about?



Quattro 5kVA

Quattro	12/5000/200	24/5000/120	48/5000/70
PowerControl / PowerAssist	yes	yes	yes
Integrated Transfer switch	yes	yes	yes
AC inputs (2x)	Input voltage range: 187- 265 VAC Input frequency: 45 – 55 Hz Power factor: 1		
Maximum feed through current (A)	30	30	30
Inverter			
Input voltage range (V DC)	9,5 – 17	19 – 33	38 – 66
Output ¹	Output voltage: 230 VAC ± 2% Frequency: 50 Hz ± 0,1%		
Cont. output power at 25°C (VA) ³	5000	5000	5000
Cont. output power at 25°C (W)	4000	4250	4250
Cont. output power at 40°C (W)	3000	3350	3350
Peak power (W)	7000	7500	7800
Maximum efficiency (%)	92	94	95
Zero-load power (W)	25	30	30
Load shedding output	Maximum load: 10A Switches off when no external AC source available		
Charger			
Charge voltage 'absorption' (V DC)	14,4	28,8	57,6
Charge voltage 'float' (V DC)	13,8	27,6	55,2
Storage mode (V DC)	13,2	26,4	52,8
Charge current house battery (A) ⁴	200	120	70
Charge current starter battery (A)		4	
Battery temperature sensor		yes	
General			
Multi purpose relay driver or relay ⁵	yes	yes	yes
Protection ²	a - f		
Common Characteristics	Operating temperature: -20 to +50°C (fan assisted cooling) Humidity (non condensing): max 95%		
Enclosure			
Common Characteristics	Material & Colour: aluminium (blue RAL 5012) Protection category: IP 21		
Battery-connection	Four M8 bolts (2 plus and 2 minus connections)		
230 V AC-connection	Screw clamp 13 mm ² (AWG 6)		
Weight (kg)	30		
Dimensions (h x w x d in mm)	444 x 328 x 240		
Standards			
Safety	EN 60335-1, EN 60335-2-29		
Emission / Immunity	EN 55014-1, EN 61000-3-2 / EN 55014-2, EN 61000-3-3		
Automotive Directive	2004/104/EC		

¹ Can be adjusted to 60 Hz; 120 V 60 Hz on request;

² Protection:

- a Output short circuit,
- b Overload,
- c Battery voltage too high,
- d Battery voltage too low,

e 230 VAC on inverter output,

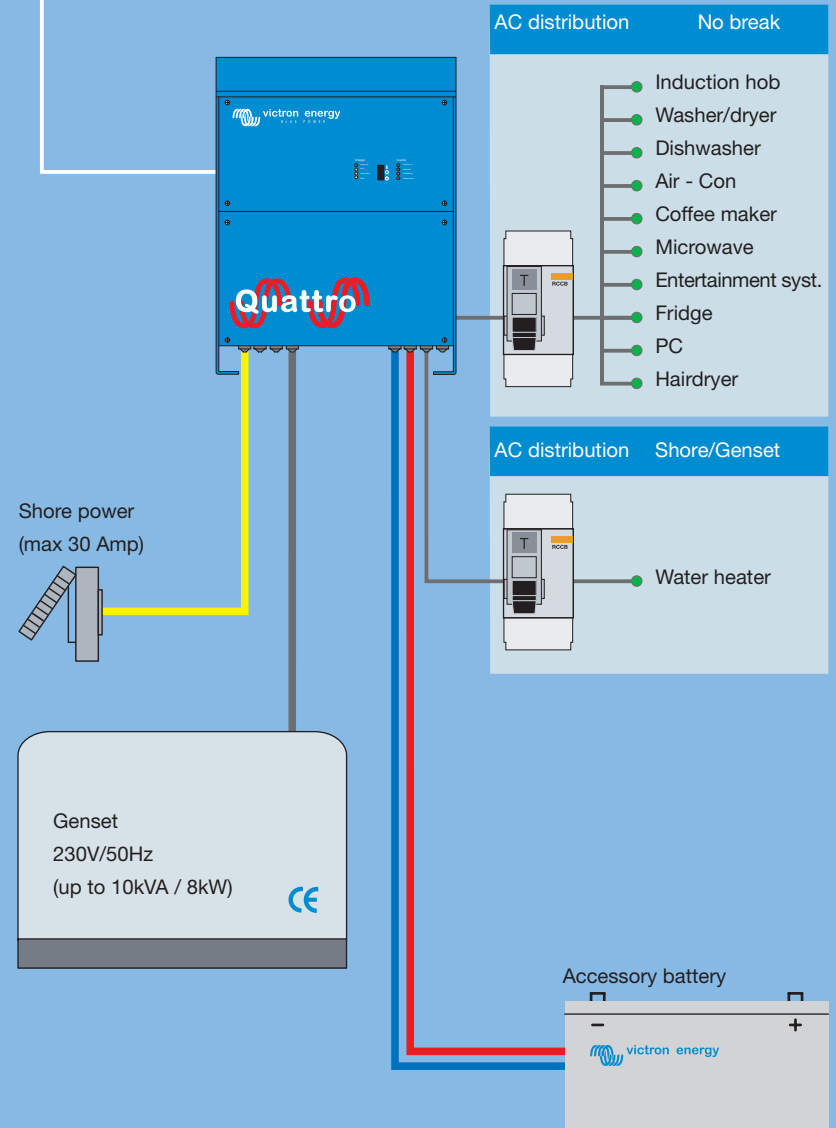
f Temperature too high,

³ Non linear load, crest factor 3:1;

⁴ At 25°C ambient;

⁵ Multipurpose relay which can be set for general alarm, DC undervoltage or genset start signal function.

Remote control



Victron Energy Blue Power



Victron Energy bv

De Paal 35 | 1351 JG Almere
PO Box 50016 | 1305 AA Almere | The Netherlands

Phone : +31 (0)36 535 97 00

Fax : +31 (0)36 535 97 40

E-mail : sales@victronenergy.com

www.victronenergy.com

Want to know more?

Questions about the Quattro? Don't hesitate to contact Victron Energy. Phone us at +31 (0)36 535 97 00 or email sales@victronenergy.com.

Of course you are always welcome to visit www.victronenergy.com. There you will find, among other things, a directory of distributors in your neighbourhood. No matter where in the world you are.

SAL064114020 - (09/07)

